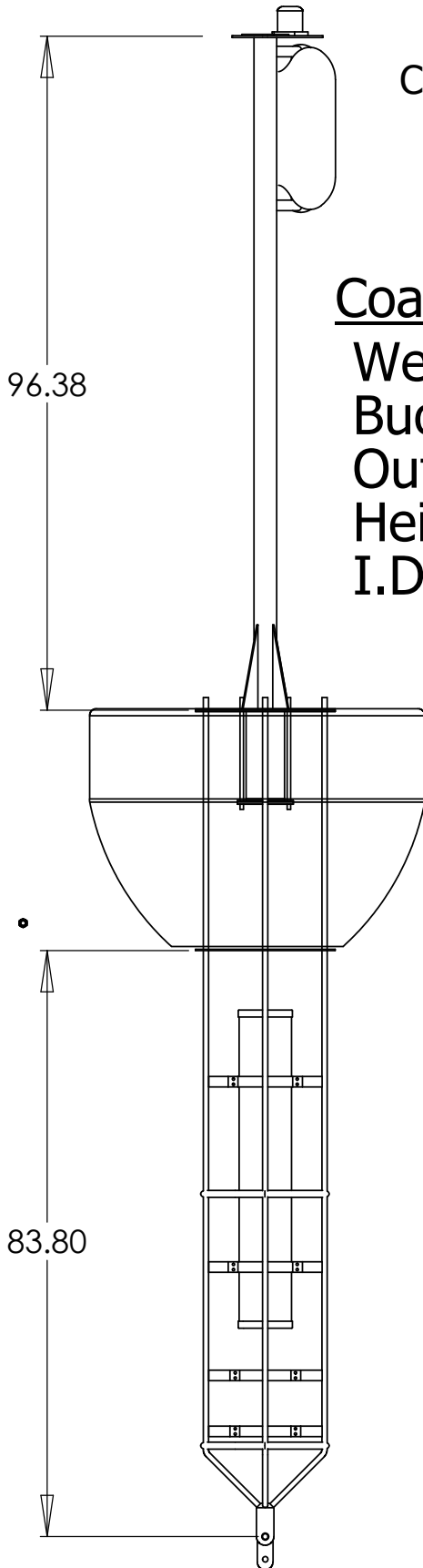


# CORDC

Coastal Observing Research and Development Center  
[www.cordc.ucsd.edu](http://www.cordc.ucsd.edu)

## Coastal ADCP/T-chain buoy

Weight: 115 lbs/ 52 kg  
 Buoyancy: 1500 lbs/ 72 kg  
 Outer Diameter: 48"  
 Height: 34"  
 I.D.: 12.5"



**PROPRIETARY AND CONFIDENTIAL**  
 THE INFORMATION CONTAINED IN THIS  
 DRAWING IS THE SOLE PROPERTY OF  
 CORDC, SIO. ANY REPRODUCTION IN

NEXT ASSY USED ON

MATERIAL

FINISH

DO NOT SCALE DRAWING

Joel Hazard

858-534-7482

**CORDC**

Scripps Institution of Oceanography

IB Buoy

REV.  
2

SHEET 1 OF 1